



Dear customers,

December 2021

ULVAC Components News

Notice of model name change

As mentioned in the title, we will change the model name of DC in general.

The model of the power supply and the cables prepared as an option will also be changed.

There are changes in the appearance of labels, etc. due to model name changes, but there are no changes in the technical specifications of the product.

We kindly ask for your understanding in this matter.

We appreciate your business and look forward to serving you in the future.

– Detail –

(1)Model revision time

From shipment on Jan 1, 2022

(2)Products

All DC Power supply products(DPG series)

(3)Model change details

See attached document

Sincerely

Munenori Tada

Senior Manager

Components Business Planning Dept

End of Document

Dear customers

29.Dec.2021

ULVAC,Inc

Notice of DPG-Series model name change

As mentioned in the title, we will change the model name of DC in general. The model of the power supply and the cables prepared as an option will also be changed.


There are changes in the appearance of labels, etc. due to model name changes, but there are no changes in the technical specifications of the product.

We kindly ask for your understanding in this matter.

We appreciate your business and look forward to serving you in the future.

-Detail-

【Power supply】

Category	New Model		Old Model
DC power supply	DC-10		DPG-10
	DC-10-H		DPG-10H
	DC-10-4		DPG-10-4
	DC-20		DPG-20
	DC-20-H		DPG-20H
	DC-20-4		DPG-20-4
	DC-30-44H		DPG-30H-44E
	DC-2		DPG-2
	DC-4		DPG-4
DC pulse power supply	DC-5-P	DPG-5P	
	DC-10-P	DPG-10P	
	DC-10-4P	DPG-10P-4	
	DC-05-P	DPG-05P	
Cable	DC-****	DPG-****	

【R3 Code】

see Attachment.

【Changes】

◇Change in appearance (change in label description).

As the model changes, the notation on the label below, which describes the model, will change.

- ① Model label.
- ② Product name plate.
- ③ Serial label.

◇Software.

The notation of the machinery number (M / N) displayed on the display when the power is turned on will be changed.

◇Technical specification.

No change.

【Model revision time】

From shipment on Jan 1, 2022

【Sample】

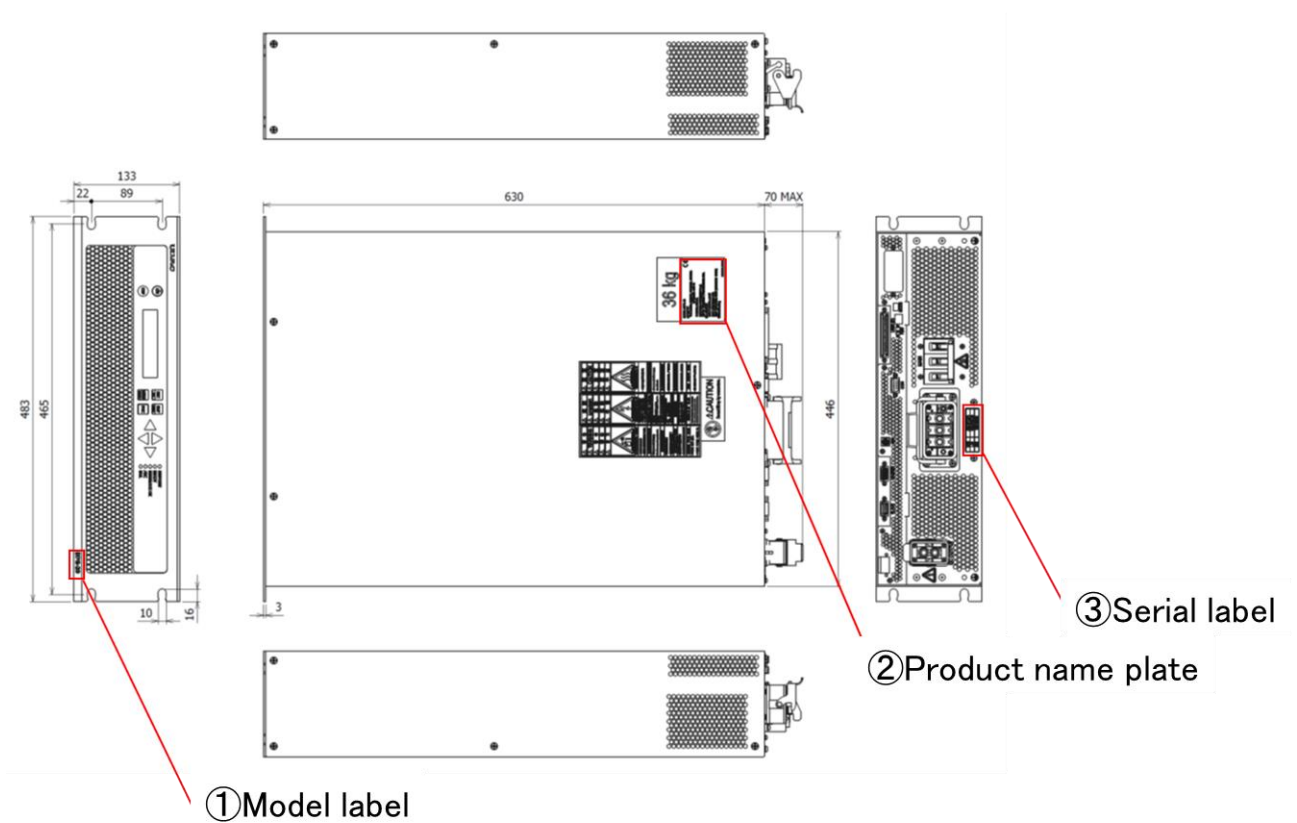


Fig1. Sample (DC-20)

Sincerely

Another paper

R3	New Model		Old Model
210006908200	DC-2		DPG-2
210006908300	DC-4		DPG-4
210006843900	DC-10		DPG-10
210006844200	DC-10-AM		DPG-10-AM
210006844700	DC-10-H		DPG-10H
210006845000	DC-10-H-AM		DPG-10H-AM
210006844300	DC-20		DPG-20
210006844600	DC-20-AM		DPG-20-AM
210006845100	DC-20-H		DPG-20H
210006845400	DC-20-H-AM		DPG-20H-AM
210006892900	DC-30-44H-E		DPG-30H-44E
210006880600	DC-5-P		DPG-5P
210006880700	DC-10-P		DPG-10P
200002006400	DC-2/4 Joint option		DPG-2/4 Joint option
200009436500	DC-2/4-IN 2m		DPG-2/4-IN 2m
200009436600	DC-2/4-IN 4m		DPG-2/4-IN 4m
200009436700	DC-2/4-IN 6m		DPG-2/4-IN 6m
200009436800	DC-2/4-IN 8m		DPG-2/4-IN 8m
200009436900	DC-2/4-IN 10m		DPG-2/4-IN 10m
200009458200	DC-2/4-IN_Angle_2m		DPG-2/4-IN_Angle_2m
200009458300	DC-2/4-IN_Angle_4m		DPG-2/4-IN_Angle_4m
200009458400	DC-2/4-IN_Angle_6m		DPG-2/4-IN_Angle_6m
200009458500	DC-2/4-IN_Angle_8m		DPG-2/4-IN_Angle_8m
200009458600	DC-2/4-IN_Angle_10m		DPG-2/4-IN_Angle_10m
200009437300	DC-2/4-OUT 5m		DPG-2/4-OUT 5m
200009437400	DC-2/4-OUT 10m		DPG-2/4-OUT 10m
200009437500	DC-2/4-OUT 15m		DPG-2/4-OUT 15m
200009437600	DC-2/4-OUT 20m		DPG-2/4-OUT 20m
200009437700	DC-2/4-OUT 25m		DPG-2/4-OUT 25m
200009437800	DC-2/4-OUT 30m		DPG-2/4-OUT 30m
200009437900	DC-2/4-OUT 35m		DPG-2/4-OUT 35m
200009438000	DC-2/4-OUT 40m		DPG-2/4-OUT 40m
200009458700	DC-2/4-OUT_Angle 5m		DPG-2/4-OUT_Angle 5m
200009458800	DC-2/4-OUT_Angle 10m		DPG-2/4-OUT_Angle 10m
200009458900	DC-2/4-OUT_Angle 15m		DPG-2/4-OUT_Angle 15m
200009459000	DC-2/4-OUT_Angle 20m		DPG-2/4-OUT_Angle 20m
200009459100	DC-2/4-OUT_Angle 25m		DPG-2/4-OUT_Angle 25m
200009459200	DC-2/4-OUT_Angle 30m		DPG-2/4-OUT_Angle 30m
200009459300	DC-2/4-OUT_Angle 35m		DPG-2/4-OUT_Angle 35m
200009459400	DC-2/4-OUT_Angle 40m		DPG-2/4-OUT_Angle 40m
200002004800	DC-10/20-S-OPTION		DPG-10/20-S-OPTION
200009163100	DC-10/20-IN 2m		DPG-10/20-IN 2m
200009121900	DC-10/20-IN 4m		DPG-10/20-IN 4m
200009163200	DC-10/20-IN 6m		DPG-10/20-IN 6m
200009163300	DC-10/20-IN 8m		DPG-10/20-IN 8m
200009163400	DC-10/20-IN 10m		DPG-10/20-IN 10m
200009275700	DC-10/20-IN 15m		DPG-10/20-IN 15m
200009275800	DC-10/20-IN 20m		DPG-10/20-IN 20m
200009275900	DC-10/20-IN 30m		DPG-10/20-IN 30m
200009122000	DC-10/20-OUT 5m		DPG-10/20-OUT 5m
200009122100	DC-10/20-OUT 10m		DPG-10/20-OUT 10m
200009122200	DC-10/20-OUT 15m		DPG-10/20-OUT 15m
200009122300	DC-10/20-OUT 20m		DPG-10/20-OUT 20m
200009122400	DC-10/20-OUT 25m		DPG-10/20-OUT 25m
200009122500	DC-10/20-OUT 30m		DPG-10/20-OUT 30m
200009122600	DC-10/20-OUT 35m		DPG-10/20-OUT 35m
200009122700	DC-10/20-OUT 40m		DPG-10/20-OUT 40m
200009122800	DC-10/20-MS 1.2m		DPG-10/20-MS 1.2m

R3	New Model		Old Model
200009550700	DC-400V-IN 2m		DPG-30R-IN2 2m
200008746000	DC-400V-IN 4m		DPG-30R-IN2 4m
200009550800	DC-400V-IN 6m		DPG-30R-IN2 6m
200009550900	DC-400V-IN 8m		DPG-30R-IN2 8m
200009551000	DC-400V-IN 10m		DPG-30R-IN2 10m
200008746400	DC-30-OUT 5m		DPG-30R-OUT 5m
200008746500	DC-30-OUT 10m		DPG-30R-OUT 10m
200008746600	DC-30-OUT 15m		DPG-30R-OUT 15m
200008746700	DC-30-OUT 20m		DPG-30R-OUT 20m
200008746800	DC-30-OUT 25m		DPG-30R-OUT 25m
200008746900	DC-30-OUT 30m		DPG-30R-OUT 30m
200008747000	DC-30-OUT 35m		DPG-30R-OUT 35m
200008747100	DC-30-OUT 40m		DPG-30R-OUT 40m
200009354900	DC-30-MS L=1.2m		DPG-30/30H-MS L=1.2m
200009310500	DC-5-P-IN 2m		DPG-5P-IN 2m
200009310600	DC-5-P-IN 4m		DPG-5P-IN 4m
200009310700	DC-5-P-IN 5m		DPG-5P-IN 5m
200009310800	DC-5-P-IN 6m		DPG-5P-IN 6m
200009310900	DC-5-P-IN 8m		DPG-5P-IN 8m
200009311000	DC-5-P-IN 10m	←	DPG-5P-IN 10m
200009311100	DC-5-P-IN 15m		DPG-5P-IN 15m
200009311200	DC-5-P-IN 20m		DPG-5P-IN 20m
200009314000	DC-5-P/10-P-OUT 4m		DPG-5P/10P-OUT 4m
200009314100	DC-5-P/10-P-OUT 10m		DPG-5P/10P-OUT 10m
200009489500	DC-5-P/10-P-OUT 20m		DPG-5P/10P-OUT 20m
200009356200	DC-5-P/10-P-MS L=1.2m		DPG-5P/10P-MS L=1.2m
200009585200	DC-2/4 Air filter		DPG-2/4 Air filter
200009585500	DC-10/20 Air filter		DPG-10/20 Air filter
210006955000	DC-2/4 Front panel filter		DPG-2/4 Front panel filter
210006955100	DC-10/20 Front panel filter		DPG-10/20 Front panel filter
200090209100	DC-10-OUT-A2KH-25 L=3M		DPG-10-OUT-A2KH-25 L=3M
200090209200	DC-10-OUT-A2KH-25 L=5M		DPG-10-OUT-A2KH-25 L=5M
200090209300	DC-10-OUT-A2KH-25 L=10M		DPG-10-OUT-A2KH-25 L=10M
200090209400	DC-10-OUT-A2KH-25 L=15M		DPG-10-OUT-A2KH-25 L=15M
200090209500	DC-10-OUT-A2KH-25 L=20M		DPG-10-OUT-A2KH-25 L=20M
200090209600	DC-10-OUT-A2KH-25 L=25M		DPG-10-OUT-A2KH-25 L=25M
200090209700	DC-10-OUT-A2KH-25 L=30M		DPG-10-OUT-A2KH-25 L=30M
200090209800	DC-10-OUT-A2KH-25 L=35M		DPG-10-OUT-A2KH-25 L=35M
200090209900	DC-10-OUT-A2KH-25 L=40M		DPG-10-OUT-A2KH-25 L=40M

R3	New Model		Old Model
200009201600	DC-10/20-OUT-A2K-20K/40K 5m		DPG-10/20-OUT-A2K-20K/40K 5m
200009201700	DC-10/20-OUT-A2K-20K/40K 10m		DPG-10/20-OUT-A2K-20K/40K 10m
200009201800	DC-10/20-OUT-A2K-20K/40K 15m		DPG-10/20-OUT-A2K-20K/40K 15m
200009201900	DC-10/20-OUT-A2K-20K/40K 20m		DPG-10/20-OUT-A2K-20K/40K 20m
200009202000	DC-10/20-OUT-A2K-20K/40K 25m		DPG-10/20-OUT-A2K-20K/40K 25m
200009202100	DC-10/20-OUT-A2K-20K/40K 30m		DPG-10/20-OUT-A2K-20K/40K 30m
200009202200	DC-10/20-OUT-A2K-20K/40K 35m		DPG-10/20-OUT-A2K-20K/40K 35m
200009202300	DC-10/20-OUT-A2K-20K/40K 40m		DPG-10/20-OUT-A2K-20K/40K 40m
200009244600	DC-30-OUT-A2K-40K L=5m 6AWG		DPG-30R-OUT-A2K-40K L=5m 6AWG
200009244700	DC-30-OUT-A2K-40K L=10m 6AWG		DPG-30R-OUT-A2K-40K L=10m 6AWG
200009244800	DC-30-OUT-A2K-40K L=15m 6AWG		DPG-30R-OUT-A2K-40K L=15m 6AWG
200009244900	DC-30-OUT-A2K-40K L=20m 6AWG		DPG-30R-OUT-A2K-40K L=20m 6AWG
200009245000	DC-30-OUT-A2K-40K L=25m 6AWG		DPG-30R-OUT-A2K-40K L=25m 6AWG
200009245100	DC-30-OUT-A2K-40K L=30m 6AWG		DPG-30R-OUT-A2K-40K L=30m 6AWG
200009245200	DC-30-OUT-A2K-40K L=35m 6AWG		DPG-30R-OUT-A2K-40K L=35m 6AWG
200009245300	DC-30-OUT-A2K-40K L=40m 6AWG		DPG-30R-OUT-A2K-40K L=40m 6AWG
200009369700	DC-10/20-OUT-MFU-20K/40K L=5m 8AWG	←	DPG-10/20-OUT-MFU-20K/40K L=5m 8AWG
200009369800	DC-10/20-OUT-MFU-20K/40K L=10m 8AWG		DPG-10/20-OUT-MFU-20K/40K L=10m 8AWG
200009369900	DC-10/20-OUT-MFU-20K/40K L=15m 8AWG		DPG-10/20-OUT-MFU-20K/40K L=15m 8AWG
200009370000	DC-10/20-OUT-MFU-20K/40K L=20m 8AWG		DPG-10/20-OUT-MFU-20K/40K L=20m 8AWG
200009370100	DC-10/20-OUT-MFU-20K/40K L=25m 8AWG		DPG-10/20-OUT-MFU-20K/40K L=25m 8AWG
200009370200	DC-10/20-OUT-MFU-20K/40K L=30m 8AWG		DPG-10/20-OUT-MFU-20K/40K L=30m 8AWG
200009370300	DC-10/20-OUT-MFU-20K/40K L=35m 8AWG		DPG-10/20-OUT-MFU-20K/40K L=35m 8AWG
200009370400	DC-10/20-OUT-MFU-20K/40K L=40m 8AWG		DPG-10/20-OUT-MFU-20K/40K L=40m 8AWG
200009344000	DC-30-OUT TBOX L=8.4m		DPG-30R-OUT TBOX L=8.4m