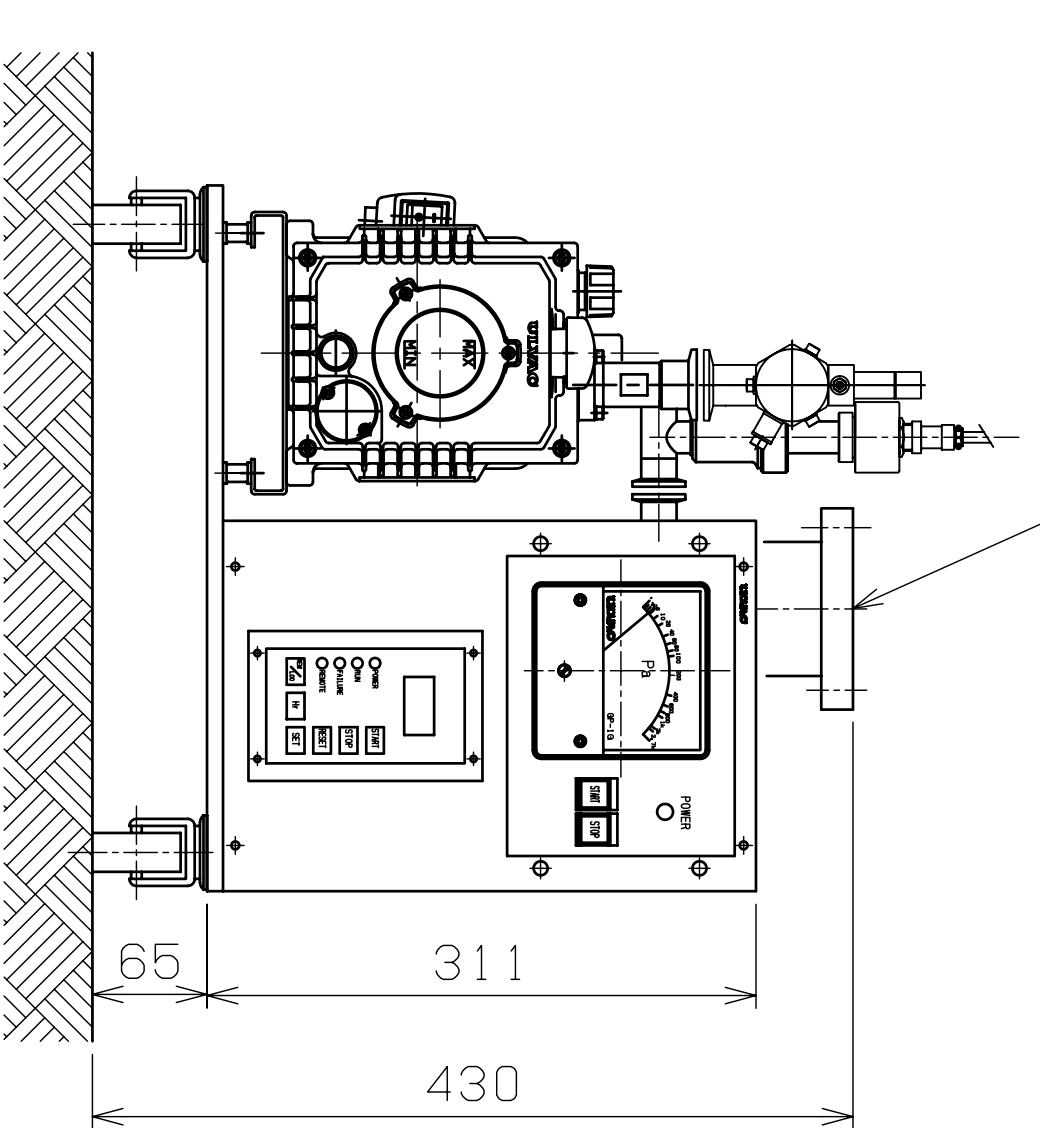
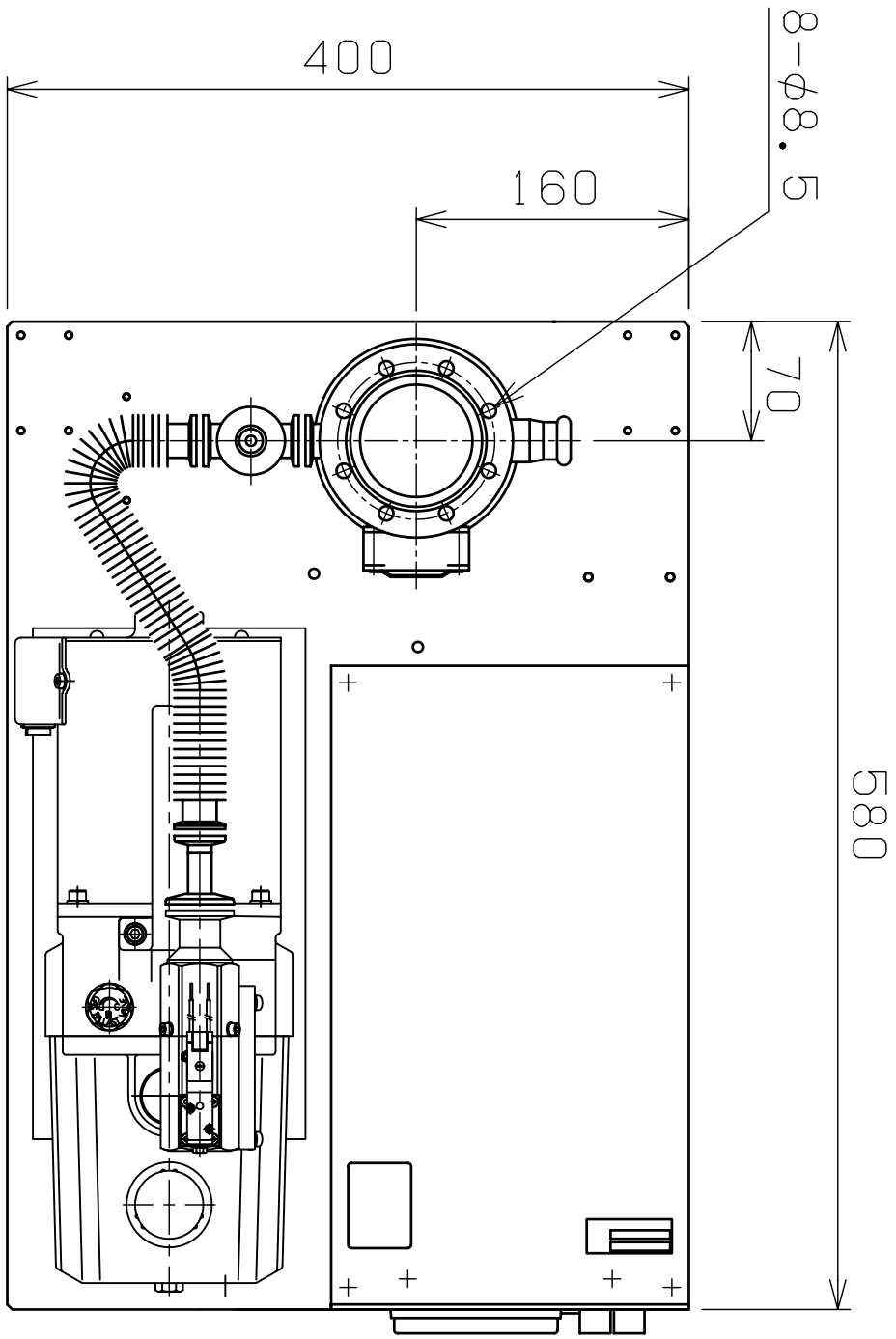


(594)



Inlet flange
(CF114)