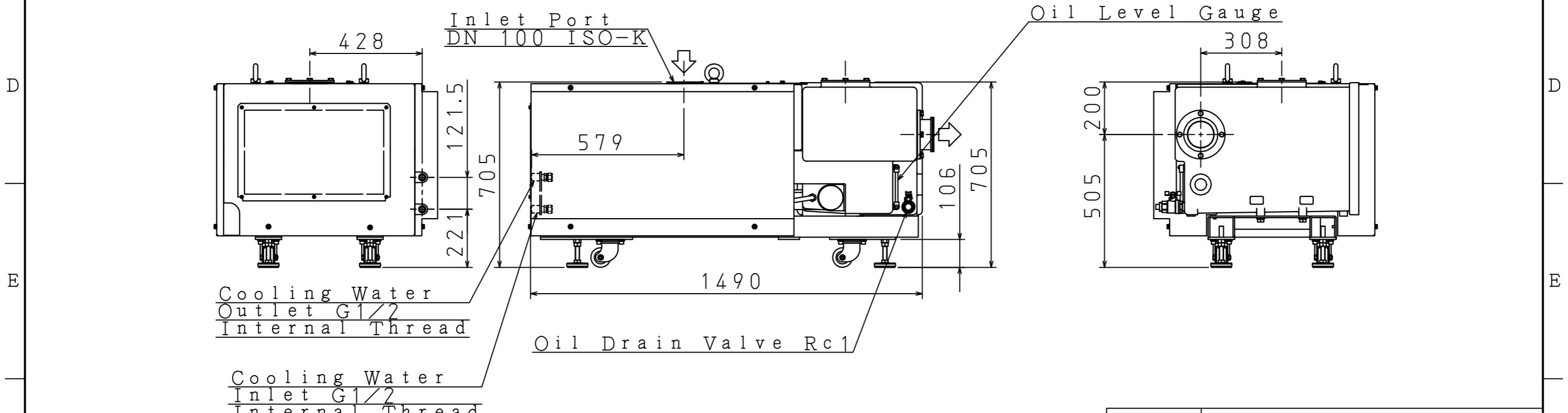
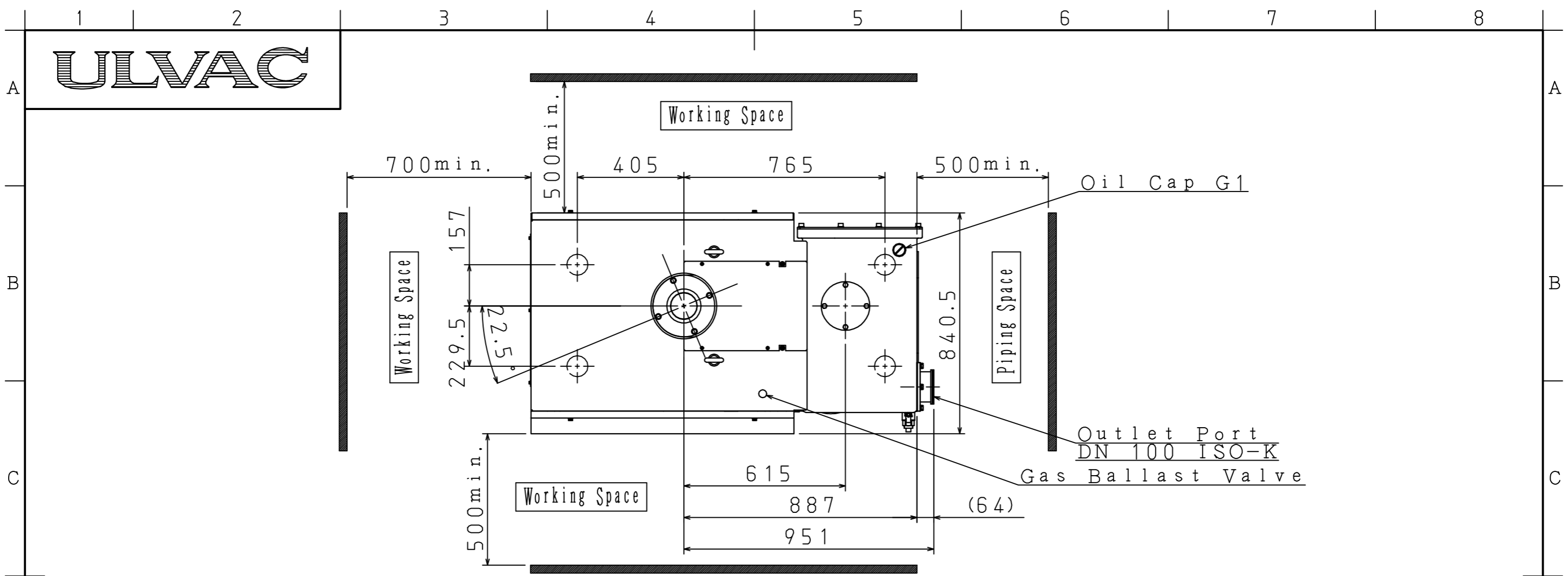


ULVAC



TITLE	VS650A-W/VS750A-W Appearance Drawing
DWG No.	KO6501-018D