

G-TRAN Series Pirani Gauge [SW1-1/SW1-2]

This is a wide range pirani gauge which measures from atmospheric pressure to 5×10^{-2} Pa. In addition, cost reduction and space saving were realized by removing control and display panels from conventional controller, and keeping minimum necessary functions only.



SW1-1



SW1-2

Features

- ▶ **Wide-range Measurement**
Measures from atmospheric pressure to 5×10^{-2} Pa.
- ▶ **Wiring Reduction**
Wiring reduction, space saving, power saving are made possible by integrated sensor and controller
- ▶ **Improvement in Visibility**
With high visible LED for error verification
- ▶ **One-touch Adjustment**
Atmospheric adjustment and the zero point adjustment can be done in one-touch operation
- ▶ **Maintenance**
Sensor head can be replaced easily.
- ▶ **Filament Material · Platinum (Pt)**
Corrosion-resistant platinum is used as the filament material
- ▶ **Measured Value Output Signal**
Pressure output in 0 to 10V by log
- ▶ **Improvement in Shock Resistance**
Design structure is highly resistance to shock
- ▶ **Control Output Signal**
2 set point output (SW1-1)

- ▶ **Serial Communication Type**
RS-232C/RS-485 communication (only SW1-2)
- ▶ **Applicable Standard**
Conforms with CE

Applications

- ▶ Process control in low vacuum processes such as for photovoltaic field, FPD, semiconductor, optics and electronic parts manufacturing systems
- ▶ Process control in low vacuum range processes for industrial equipment such as vacuum furnaces, etc.
- ▶ Process control in low vacuum system, which requires multiple process chambers, such as in-line sputtering and single wafer processing equipment

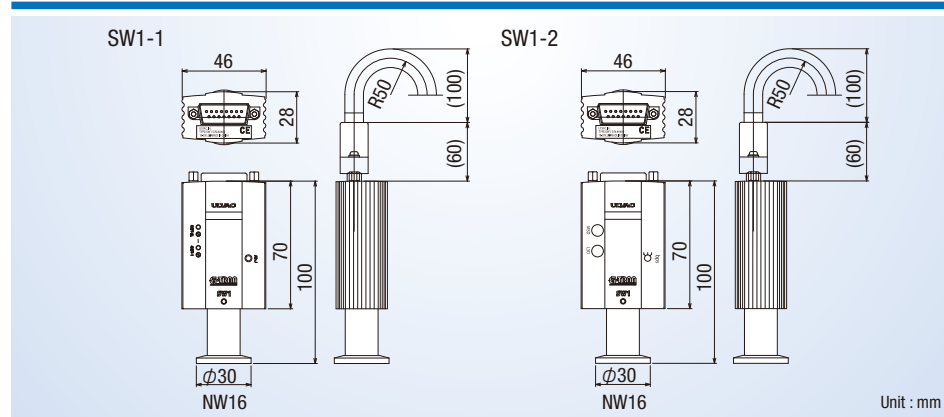
G-TRAN Series Pirani Gauge [SW1-1/SW1-2]

Specifications

Model	SW1-1	SW1-2
Connectable sensor	1 pc	
Compatible sensor unit	SWP-16 (NW16)	
Measurable pressure range	5.0×10^{-2} to $1.0 \times 10^{+5}$ Pa	
Accuracy*	1×10^{-1} Pa to $1 \times 10^{+4}$ Pa: $\pm 10\%$ 5.0×10^{-2} to 1.0×10^{-1} Pa, $1 \times 10^{+4}$ Pa to $1 \times 10^{+5}$ Pa: $\pm 20\%$	
Repeatability	1×10^{-1} Pa to $1 \times 10^{+4}$ Pa: $\pm 2\%$	
Sampling time	5 times in 50ms running average	
Value output	Output voltage DC 0 to 10V Pressure indication (Log) 1.7V to 8.0V 1V/decade	
Update time	50ms	
Control input signal	Open collector input, Negative logic ADJ Adjustment (ZERO point, atmosphere adjust)	—
Control output signal	Open collector output, negative logic [rating: 30V _{MAX} , 50mA _{MAX} , 70mW] Error signal Set point 1, 2	—
Monitor for setpoint	Set point 1, 2: 0 to 10V Log output	—
Serial communication type	—	RS232C/RS485
LED display	POWER/ERROR: Power error LED SET-1: Set point 1LED SET-2: Set point 2LED	—
Material of filament	Pt	
Operating temperature range	10 to 40°C	
Operating humidity range	15 to 80% (not condensing)	
IP rating	IP30 (sensor unit)	
Fixing position	Free	
Power supply voltage	DC18V to 30V, 2W (4.8W w/power input)	
Input/output connector	D-sub 15-pin (M2.6 screw)	
Weight	150g (SWP-16)	
Dimension (Power supply) W×D×H	70mm×46mm×28mm	
Applicable standard	CE	

* The value indicates accuracy after atmospheric pressure adjustment and zero point adjustment.

Dimension



ULVAC, Inc. Components Division

www.ulvac.co.jp/eng

Overseas Sales in Japan TEL +81-467-89-2261

USA : ULVAC Technologies, Inc.
GERMANY : ULVAC G.m.b.H.
RUSSIA : OOO ULVAC
CHINA : ULVAC (SHANGHAI) Trading Co.,Ltd.
TAIWAN : ULVAC TAIWAN, Inc.
KOREA : ULVAC KOREA, Ltd.

TEL +1-978-686-7550
TEL +49-89-960909-0
TEL +7-495-651-8747
TEL +86-21-6127-6618
TEL +886-3-579-5688
TEL +82-31-683-2922

SINGAPORE : ULVAC SINGAPORE PTE LTD
PHILIPPINES : ULVAC Singapore Philippines Branch
VIETNAM : ULVAC Singapore Vietnam Representative Office
THAILAND : ULVAC (THAILAND) LTD
MALAYSIA : ULVAC MALAYSIA SDN. BHD.
INDIA : ULVAC, Inc., India Branch

TEL +65-6542-2700
TEL +63-2-828-7700
TEL +84-8-62556762
TEL +66-2-312-4447
TEL +60-3-5121-4700
TEL +91-40-27007006

▶ This catalog is subject to change without notice to reflect performance improvements, etc.