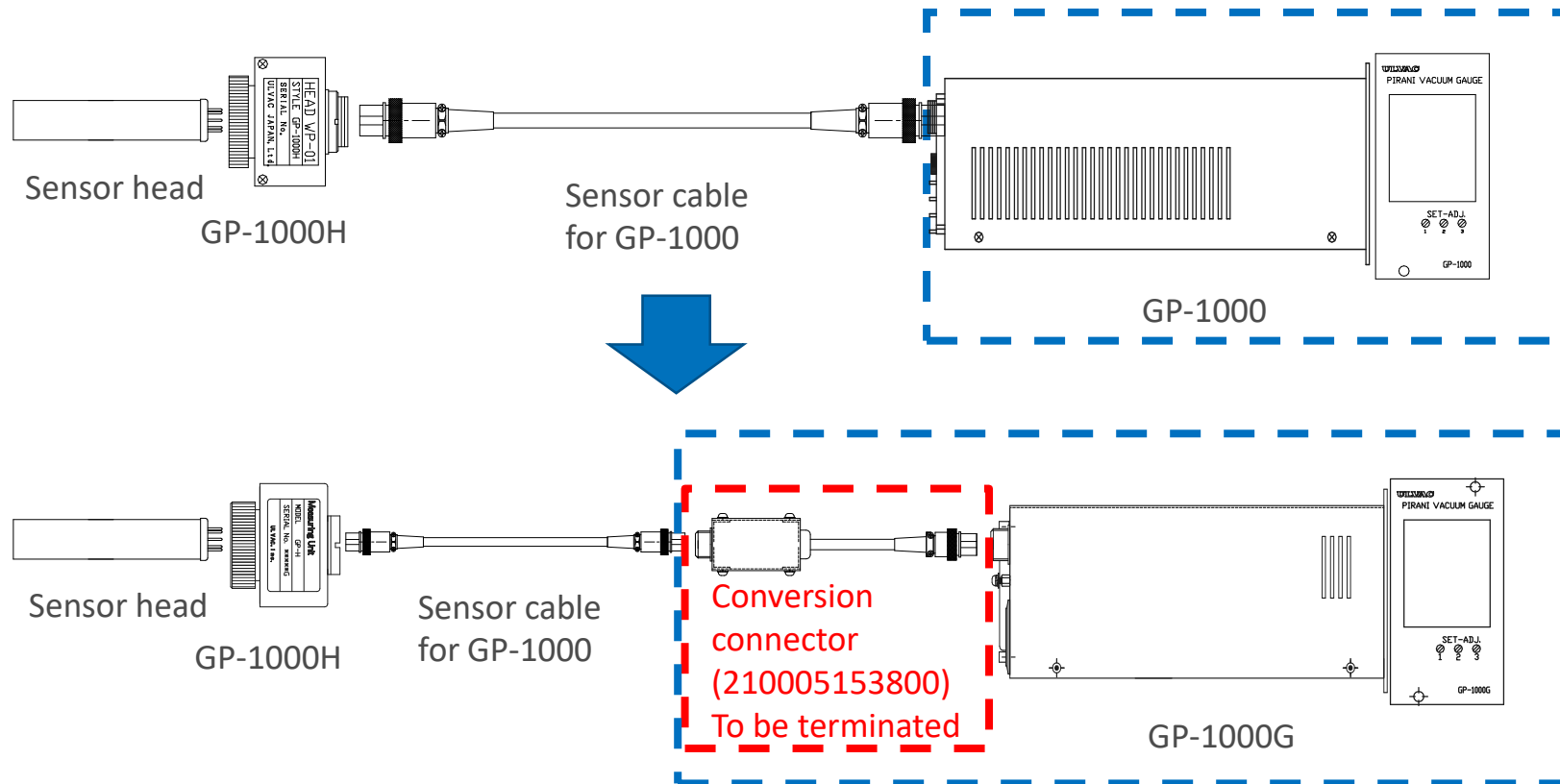


[Supplement Material] Sales Termination of Conversion Connector (GP-1000 to GP-1000G)

Measurement Instruments Department
Components Division
ULVAC, Inc.

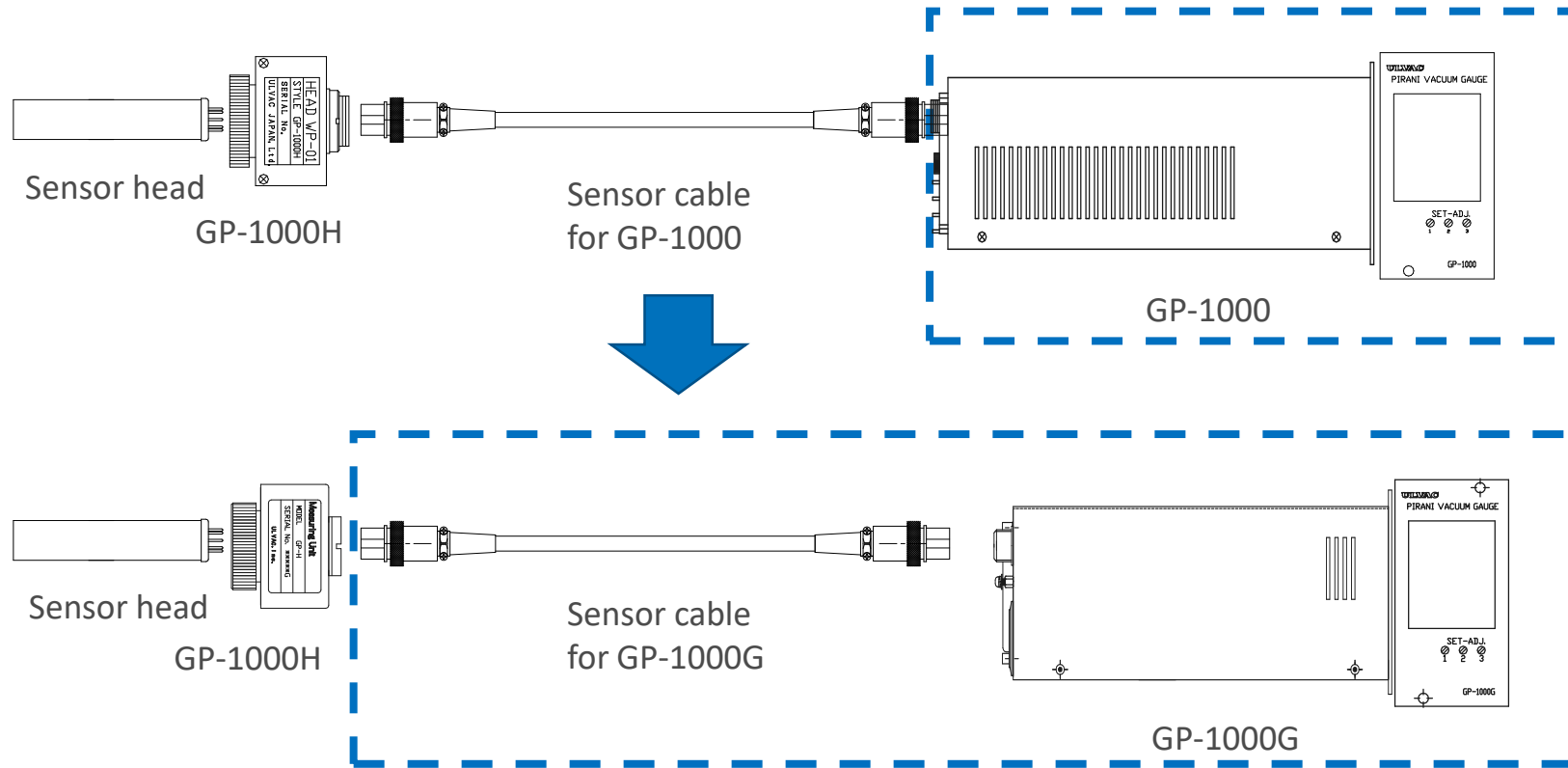
Sales termination of conversion connector

- We have supplied 'conversion connector' for replacement of GP-1000 with the successor model GP-1000G for many years. Now that it has been difficult to obtain the required parts, we will terminate the sales of 'conversion connector.'



Sales termination of conversion connector

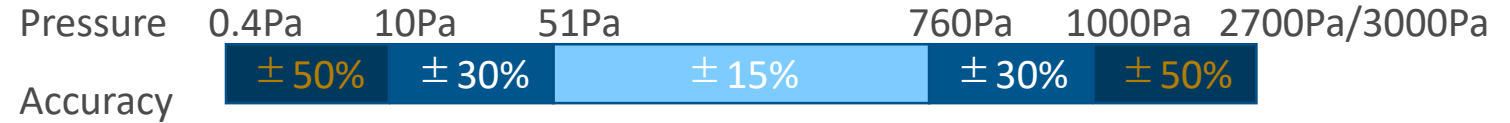
- After the sales termination of 'conversion connector', when you replace GP-1000 with GP-1000G, please purchase 'sensor cable for GP-1000G' in addition to GP-1000G.



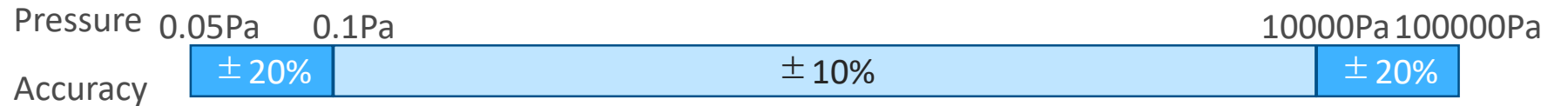
Sales termination of conversion connector

- When you consider replacement of GP-1000, please consider not only the successor model GP-1000G but also a transducer type vacuum gauge SW1+ ISG1. It is not compatible with GP-1000, but it has better performance. For details, please contact us separately.

GP-1000G



SW1 + ISG1



- Wider range measurement
- More accurate
- Shock resistant sensor head design